



VISHAY - Model 3510 Load Cell



Product Description

Model 3510 provides the weighing industry with the ultimate protection necessary for today's hostile environments. Hermetically sealed against moisture, the construction of the model 3510 in combination with a polyurethane dual shielded cable, enables continuous operation in harsh environments while maintaining a high operating specification. It is ideally suited for low profile platforms, pallet truck weighers, tanks and silos. The guide slots incorporated into the upper and lower mounting faces enable manufacturers to easily position the load cell.

Application

- Low profile platforms
- Pallet truck weighing
- Tank and silo weighing
- Harsh environment weighing

Basic Features

- Capacities 300 - 5000kg, 1000 - 5000lbs
- Stainless steel construction
- OIML R60 and NTEP approved
- Hermetically sealed to IP68
- Specially designed for harsh environment
- EEx ia IIC T6 hazardous area approval (Optional)
- FM approval available (Optional)
- 1100Ω impedance available (Optional)

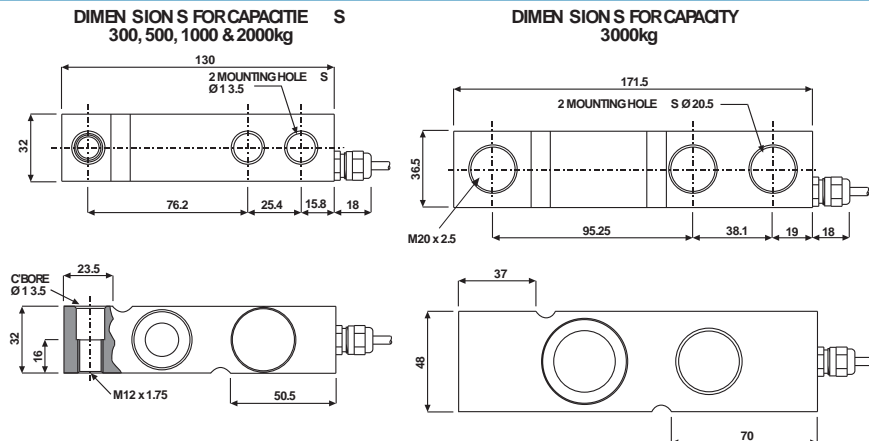
Specifications

PARAMETER	VALUE				UNIT
Rated capacity-R.C. (E _{max})	300, 500, 750, 1000, 1200, 2000, 3000, 5000				kg
Rated capacity-R.C. (E _{max})	1000, 1500, 2500, 4000				lbs
NTEP/OIML Accuracy class	NTEP	Ndn-Approved	C3	O6	
Maximum no. of intervals(n)	3000 single 5000 multiple	1000	3000 ⁽¹⁾	6000 ⁽²⁾	
$Y = E_{max}/V_{min}$	12500	1400	12000	20000	Maximum available 20000
Rated output-R.O.	2.0 for kg and 3.0 for lbs				mV/V
Rated output tolerance	0.1				±% of rated output
Zero balance	2				±% of rated output
Zero Return, 30 min.	0.0250	0.0300	0.0170	0.0083	±% of applied load
Total Error	0.0200	0.0500	0.0200	0.0100	±% of rated output
Temperature effect on zero	0.0023	0.0100	0.0023	0.0009	±% of rated output/°C
Temperature effect on output	0.0010	0.0030	0.0010	0.00058	±% of applied load/°C
Temperature range, compensated	-10 to +40				°C
Temperature range, safe	-20 to +70				°C
Maximum safe central overload	150				% of R.C.
Ultimate central overload	300				% of R.C.
Excitation, recommended	10				Vdc or Vac rms
Excitation, maximum	15				Vdc or Vac rms
Input impedance	380±10				Ohm
Output impedance	350±3				Ohm
Insulation resistance	>2000				Mega-Ohm
Cable length	5				m
Cable type	6 wire, braided, Polyurethane, dual coating screen				Standard
Construction	Stainless steel				
Environmental protection	IP68				
Recommended torque	136.0 (3000 & 5000kg - 205.0)				N*m

Notes

- (1) 50% utilization
 (2) Capacities 300-1200kg, and 1000-2500lbs only

Dimensions in mm



Standard end loading shown.

Options include:

- "Through-hole" - plain or threaded.
- "End" - supplied current and voltage matched for platform.
- Imperial capacities can be manufactured with M12 or 1/2"-20 UNC threading.

Wiring

Wiring schematic diagram

